
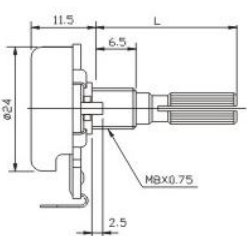
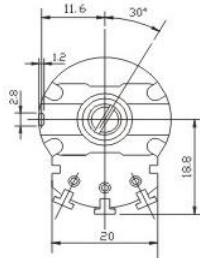


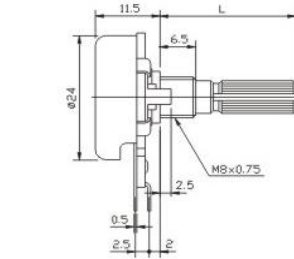
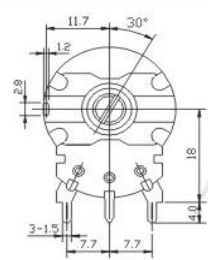
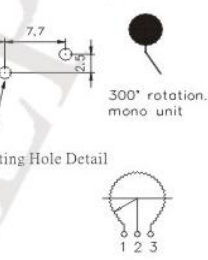

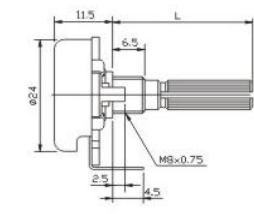
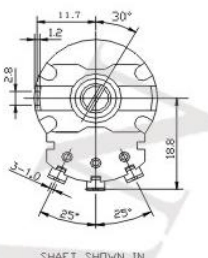
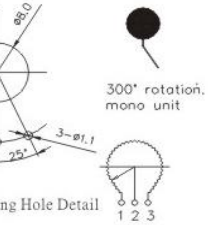

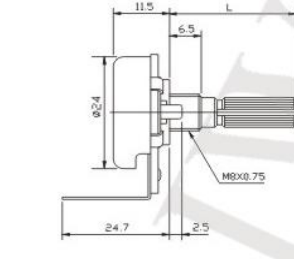
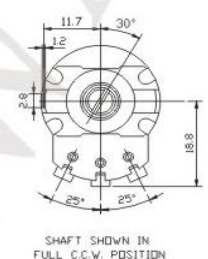
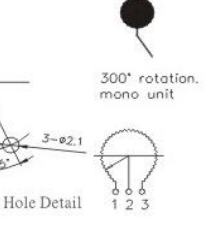

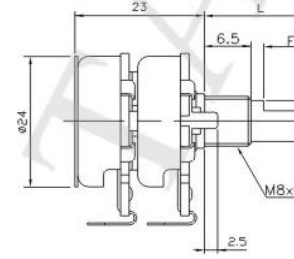
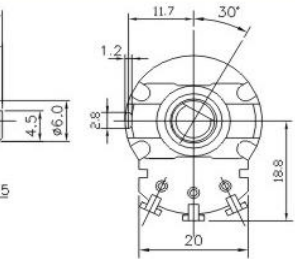


24mm METAL SHAFT SERIES

Model Outline Drawing Features / Individual Specification

<p>RV24AF-10</p> 		 <p>SHAFT SHOWN IN FULL C.C.W. POSITION</p> 
<p>RV24AF-22</p> 		 <p>SHAFT SHOWN IN FULL C.C.W. POSITION</p> 
<p>RV24AF-30</p> 		 <p>SHAFT SHOWN IN FULL C.C.W. POSITION</p> 
<p>RV24AF-40</p> 		 <p>SHAFT SHOWN IN FULL C.C.W. POSITION</p> 
<p>RV24BF-10</p> <p>NEW</p> 		 <p>SHAFT SHOWN IN FULL C.C.W. POSITION</p> 