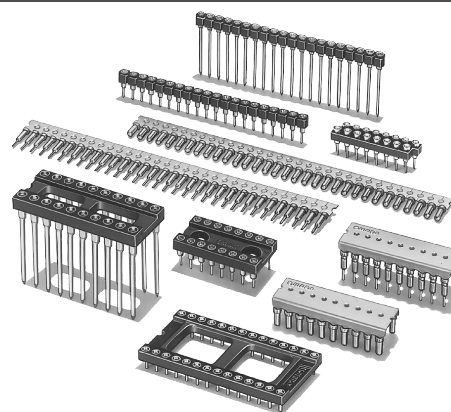


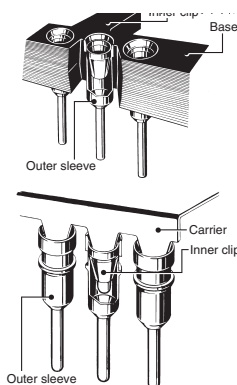
IC Sockets XR2

OMRON's IC Connectors Have Excellent Reliability and Can Tolerate Momentary Interruptions in Power.

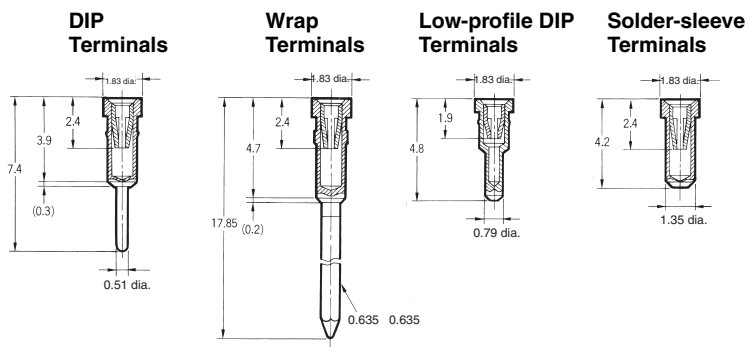
- Round pins and 4-point (4-finger) contact construction with contact entry holes that are large for easy insertion.
- IC lead contacts placed high for solid connections.
- A wide product range: open-frame, closed-frame, single-row, carrier-type DIP terminals, wrap terminals, solder-sleeve terminals, and low-profile DIP terminals.
- Conforms to UL standards (file no. E 103202) and CSA standards (file no. LR 62678).



Construction



Contact Dimensions



Ratings and Characteristics

| Item | Gold plated | Gold flash plated |
|-------------------------------|--|-------------------|
| Rated current | 1 A | |
| Rated voltage | 300 VAC | |
| Contact resistance | 20 mΩ max. (at 20 mV, 100 mA max.) | |
| Insulation resistance | 1,000 MΩ min. (at 500 VDC) | |
| Dielectric strength | 1,000 VAC for 1 min (leakage current: 1 mA max.) | |
| Contact insertion (See note.) | 400 gf (3.92 N) max. | |
| Contact removal (See note.) | 65 gf (0.64 N) min. with gold plating or with solder plating | |
| Insertion durability | 100 times (0.75-μm gold plating), 50 times (0.25-μm gold plating) | 20 times |
| Ambient temperature | Operating: -55 to 125°C (with no icing) | |

Note: The contact insertion force and contact removal force are for a test gauge, t = 0.432 mm.

Materials and Finish

| | |
|--------------|--|
| Base | Fiber-glass reinforced PBT resin (UL94V-0)/black |
| Carrier | Aluminum |
| Inner clip | Beryllium copper/nickel base, gold plated |
| Outer sleeve | Brass/nickel base, gold flash plating |

Note: For non-standard plating, contact your OMRON representative.

Applicable Wrap Post Wire Sizes

AWG30, AWG28, AWG26, AWG24
(Solid wire: 0.25 to 0.51 mm dia.)

Wrap Post Length

3 wires

Applicable IC Lead Dimensions

DIP, Wrap, and Solder-sleeve Terminals

| | Depth × width (mm) | |
|------------|-------------------------------------|----------------|
| Flat lead | 0.29 ±0.09 × 0.46 ±0.08 (See note.) | |
| Round lead | 0.53 dia. max. | 0.41 dia. min. |

Note: Do not use wire where the diagonal is more than 0.56 mm.

Low-profile DIP Terminals

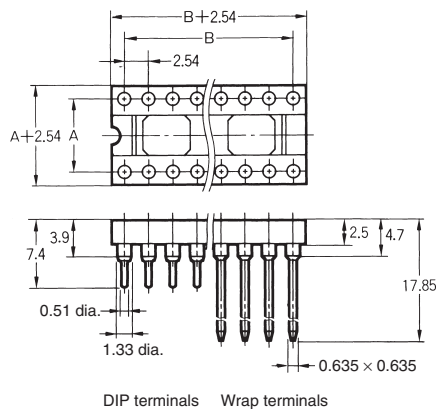
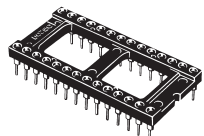
| | Depth × width (mm) | |
|------------|-------------------------------------|----------------|
| Flat lead | 0.29 ±0.09 × 0.46 ±0.08 (See note.) | |
| Round lead | 0.50 dia. max. | 0.41 dia. min. |

Note: Do not use wire where the diagonal is more than 0.52 mm.

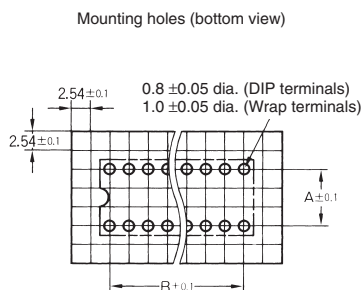
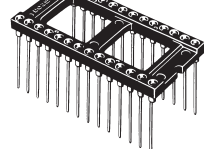
XR2A Open-frame Sockets

■ Dimensions

XR2A-□□11-N
 XR2A-2463-N
 XR2A-2473-N
 XR2A-□□01-N
 XR2A-2461-N
 XR2A-2471-N
 XR2A-□□21-N
 XR2A-2467-N
 XR2A-2477-N
 (With DIP terminals)



XR2A-□□02
 (With wrap terminals)



Dimensions

| No. of contacts | Dimensions (mm) | |
|------------------|-----------------|-------|
| | A | B |
| 8 | 7.62 | 7.62 |
| 14 | 7.62 | 15.24 |
| 16 | 7.62 | 17.78 |
| 18 | 7.62 | 20.32 |
| 20 | 7.62 | 22.86 |
| 22 | 10.16 | 25.40 |
| 24 (See note 1.) | 15.24 | 27.94 |
| 24 (See note 2.) | 10.16 | 27.94 |
| 24 (See note 3.) | 7.62 | 27.94 |
| 28 | 15.24 | 33.02 |
| 32 | 15.24 | 38.10 |
| 40 | 15.24 | 48.26 |
| 42 | 15.24 | 50.80 |
| 48 | 15.24 | 58.42 |
| 50 | 22.86 | 60.96 |
| 64 | 22.86 | 78.74 |

- Note:**
1. XR2A-2401-N/XR2A-2402/
XR2A-2411N/XR2A-2421-N
 2. XR2A-2461-N/XR2A-2463-N/
XR2A-2467-N
 3. XR2A-2471-N/XR2A-2473-N/
XR2A-2477-N

■ Ordering Information

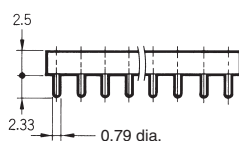
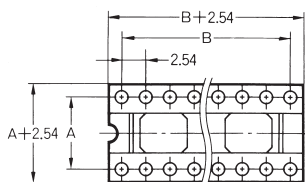
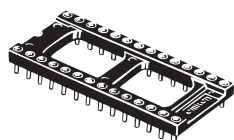
| Appearance | | Sockets with DIP terminals | | | Sockets with wrap terminals |
|----------------|--------------------|---------------------------------|---------------------------------|-------------------------|---------------------------------|
| No of contacts | Row pitch (A) (mm) | | | | |
| | | With 0.25- μ m gold plating | With 0.75- μ m gold plating | With gold flash plating | With 0.75- μ m gold plating |
| 8 | 7.62 | XR2A-0811-N | XR2A-0801-N | XR2A-0821-N | XR2A-0802 |
| 14 | 7.62 | XR2A-1411-N | XR2A-1401-N | XR2A-1421-N | XR2A-1402 |
| 16 | 7.62 | XR2A-1611-N | XR2A-1601-N | XR2A-1621-N | XR2A-1602 |
| 18 | 7.62 | XR2A-1811-N | XR2A-1801-N | XR2A-1821-N | XR2A-1802 |
| 20 | 7.62 | XR2A-2011-N | XR2A-2001-N | XR2A-2021-N | XR2A-2002 |
| 22 | 10.16 | XR2A-2211-N | XR2A-2201-N | XR2A-2221-N | XR2A-2202 |
| 24 | 15.24 | XR2A-2411-N | XR2A-2401-N | XR2A-2421-N | XR2A-2402 |
| 24 | 10.16 | XR2A-2463-N | XR2A-2461-N | XR2A-2467-N | — |
| 24 | 7.62 | XR2A-2473-N | XR2A-2471-N | XR2A-2477-N | XR2A-2472 |
| 28 | 15.24 | XR2A-2811-N | XR2A-2801-N | XR2A-2821-N | XR2A-2802 |
| 32 | 15.24 | XR2A-3211-N | XR2A-3201-N | XR2A-3221-N | XR2A-3202 |
| 40 | 15.24 | XR2A-4011-N | XR2A-4001-N | XR2A-4021-N | XR2A-4002 |
| 42 | 15.24 | XR2A-4211-N | XR2A-4201-N | XR2A-4221-N | XR2A-4202 |
| 48 | 15.24 | XR2A-4811-N | XR2A-4801-N | — | XR2A-4802 |
| 50 | 22.86 | XR2A-5011-N | XR2A-5001-N | — | — |
| 64 | 22.86 | XR2A-6411-N | XR2A-6401-N | — | XR2A-6402 |

XR2A Open-frame Sockets (with Low-profile DIP Terminals)

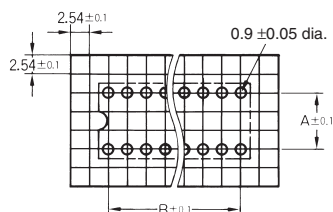
■ Dimensions

XR2A-□□15
 XR2A-2466
 XR2A-2476
 XR2A-□□05
 XR2A-2465
 XR2A-2475
 XR2A-□□25
 XR2A-2468
 XR2A-2478

(With low-profile DIP terminals)



Mounting holes (bottom view)



Dimensions

| No. of contacts | Dimensions (mm) | |
|---------------------|-----------------|-------|
| | A | B |
| 8 | 7.62 | 7.62 |
| 14 | 7.62 | 15.24 |
| 16 | 7.62 | 17.78 |
| 18 | 7.62 | 20.32 |
| 20 | 7.62 | 22.86 |
| 22 | 10.16 | 25.40 |
| 24 (See note 1.) | 15.24 | 27.94 |
| 24 (See note 2.) | 10.16 | 27.94 |
| 24 (See note 3.) | 7.62 | 27.94 |
| 28 | 15.24 | 33.02 |
| 32 | 15.24 | 38.10 |
| 40 | 15.24 | 48.26 |
| 42 | 15.24 | 50.80 |
| 48 | 15.24 | 58.42 |
| 64 | 22.86 | 78.74 |

- Note: 1.** XR2A-2415/XR2A-2405/
XR2A-2425
2. XR2A-2466/XR2A-2465/
XR2A-2468
3. XR2A-2476/XR2A-2475/
XR2A-2478

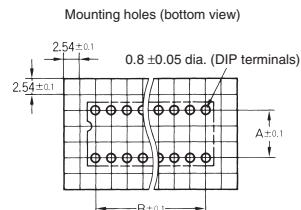
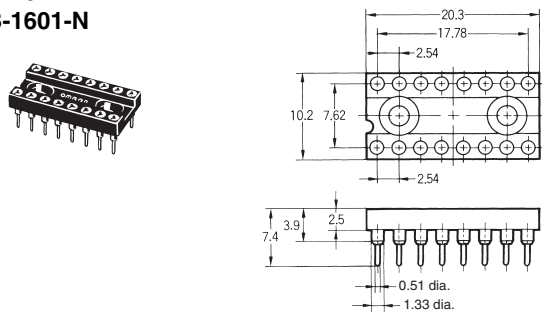
■ Ordering Information

| Appearance | | Sockets with DIP terminals | | |
|-----------------|--------------------|----------------------------|---------------------------|-------------------------|
| | | | | |
| No. of contacts | Row pitch (A) (mm) | With 0.25-μm gold plating | With 0.75-μm gold plating | With gold flash plating |
| 8 | 7.62 | XR2A-0815 | XR2A-0805 | XR2A-0825 |
| 14 | 7.62 | XR2A-1415 | XR2A-1405 | XR2A-1425 |
| 16 | 7.62 | XR2A-1615 | XR2A-1605 | XR2A-1625 |
| 18 | 7.62 | XR2A-1815 | XR2A-1805 | XR2A-1825 |
| 20 | 7.62 | XR2A-2015 | XR2A-2005 | XR2A-2025 |
| 22 | 10.16 | XR2A-2215 | XR2A-2205 | XR2A-2225 |
| 24 | 15.24 | XR2A-2415 | XR2A-2405 | XR2A-2425 |
| 24 | 10.16 | XR2A-2466 | XR2A-2465 | XR2A-2468 |
| 24 | 7.62 | XR2A-2476 | XR2A-2475 | XR2A-2478 |
| 28 | 15.24 | XR2A-2815 | XR2A-2805 | XR2A-2825 |
| 32 | 15.24 | XR2A-3215 | XR2A-3205 | XR2A-3225 |
| 40 | 15.24 | XR2A-4015 | XR2A-4005 | XR2A-4025 |
| 42 | 15.24 | XR2A-4215 | XR2A-4205 | — |
| 48 | 15.24 | XR2A-4815 | XR2A-4805 | — |
| 64 | 22.86 | XR2A-6415 | XR2A-6405 | — |

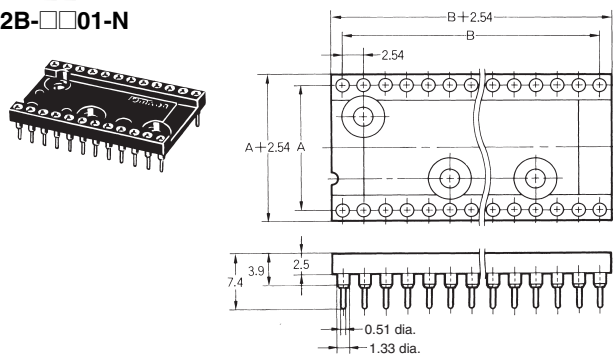
XR2B Closed-frame Sockets

■ Dimensions

XR2B-1611-N
XR2B-1601-N



XR2B-□□11-N
XR2B-□□01-N



Dimensions

| No. of contacts | Dimensions (mm) | |
|-----------------|-----------------|-------|
| | A | B |
| 16 | 7.62 | 17.78 |
| 24 | 15.24 | 27.94 |
| 28 | 15.24 | 33.02 |
| 32 | 15.24 | 38.10 |
| 40 | 15.24 | 48.26 |

■ Ordering Information

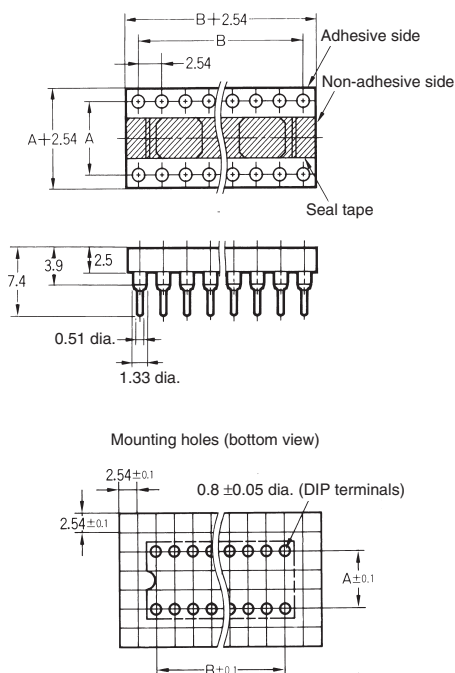
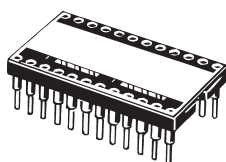
| Appearance | | Sockets with DIP terminals | |
|-----------------|--------------------|---------------------------------|---------------------------------|
| No. of contacts | Row pitch (A) (mm) | With 0.25- μ m gold plating | With 0.75- μ m gold plating |
| 16 | 7.62 | XR2B-1611-N | XR2B-1601-N |
| 24 | 15.24 | XR2B-2411-N | XR2B-2401-N |
| 28 | 15.24 | XR2B-2811-N | XR2B-2801-N |
| 32 | 15.24 | XR2B-3211-N | XR2B-3201-N |
| 40 | 15.24 | XR2B-4011-N | XR2B-4001-N |

XR2T Open-frame Sockets with Seal Tape

- Equipped with seal tape to prevent flux cleaning liquids from entering the Socket.
- The same round-pin, 4-point contact structure as the RX2A is used for the contacts.
- The seal tape is made of transparent polyethylene (adhesive portion) and yellow polypropolyene (non-adhesive portion).

■ Dimensions

XR2T-□□11-N
 XR2T-2463-N
 XR2T-2473-N
 XR2T-□□01-N
 XR2T-2461-N
 XR2T-2471-N
 XR2T-□□21-N
 XR2T-2467-N
 XR2T-2477-N



Dimensions

| No. of contacts | Dimensions (mm) | |
|------------------|-----------------|-------|
| | A | B |
| 8 | 7.62 | 7.62 |
| 14 | 7.62 | 15.24 |
| 16 | 7.62 | 17.78 |
| 18 | 7.62 | 20.32 |
| 20 | 7.62 | 22.86 |
| 22 | 10.16 | 25.40 |
| 24 (See note 1.) | 15.24 | 27.94 |
| 24 (See note 2.) | 10.16 | 27.94 |
| 24 (See note 3.) | 7.62 | 27.94 |
| 28 | 15.24 | 33.02 |
| 32 | 15.24 | 38.10 |
| 40 | 15.24 | 48.26 |
| 48 | 15.24 | 58.42 |

- Note:**
1. XR2T-2411-N/XR2T-2401-N/
XR2A-2421-N
 2. XR2T-2463-N/XR2T-2461-N/
XR2T-2467-N
 3. XR2T-2473-N/XR2T-2471-N/
XR2T-2477-N

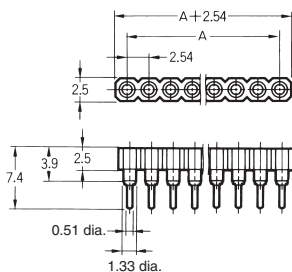
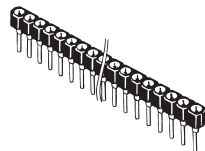
■ Ordering Information

| Appearance | | Sockets with DIP terminals | | |
|-----------------|--------------------|---------------------------------|---------------------------------|-------------------------|
| No. of contacts | Row pitch (A) (mm) | | | |
| | | With 0.25- μ m gold plating | With 0.75- μ m gold plating | With gold flash plating |
| 8 | 7.62 | XR2T-0811-N | XR2T-0801-N | XR2T-0821-N |
| 14 | 7.62 | XR2T-1411-N | XR2T-1401-N | XR2T-1421-N |
| 16 | 7.62 | XR2T-1611-N | XR2T-1601-N | XR2T-1621-N |
| 18 | 7.62 | XR2T-1811-N | XR2T-1801-N | XR2T-1821-N |
| 20 | 7.62 | XR2T-2011-N | XR2T-2001-N | XR2T-2021-N |
| 22 | 10.16 | XR2T-2211-N | XR2T-2201-N | XR2T-2221-N |
| 24 | 15.24 | XR2T-2411-N | XR2T-2401-N | XR2T-2421-N |
| 24 | 10.16 | XR2T-2463-N | XR2T-2461-N | XR2T-2467-N |
| 24 | 7.62 | XR2T-2473-N | XR2T-2471-N | XR2T-2477-N |
| 28 | 15.24 | XR2T-2811-N | XR2T-2801-N | XR2T-2821-N |
| 32 | 15.24 | XR2T-3211-N | XR2T-3201-N | XR2T-3221-N |
| 40 | 15.24 | XR2T-4011-N | XR2T-4001-N | XR2T-4021-N |
| 48 | 15.24 | XR2T-4811-N | XR2T-4801-N | --- |

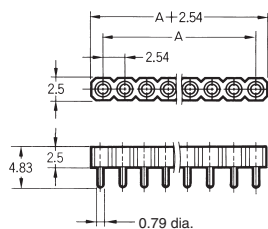
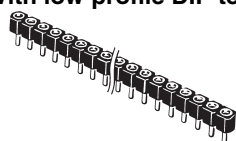
XR2C Single-row Sockets

■ Dimensions

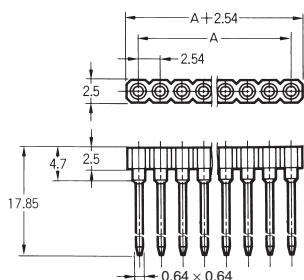
XR2C-□□11-N
 XR2C-□□01-N
 XR2C-□□21-N
 (With DIP terminals)



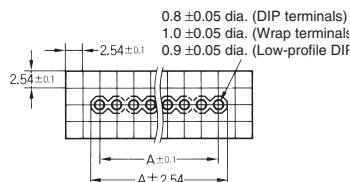
XR2C-□□15
 XR2C-□□05
 XR2C-□□25
 (With low-profile DIP terminals)



XR2C-□□02
 (With wrap terminals)



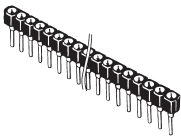
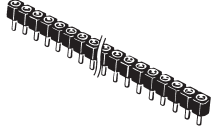

Mounting holes (bottom view)



Dimensions

| No. of contacts | A (mm) |
|-----------------|--------|
| 20 | 48.26 |
| 32 | 78.74 |

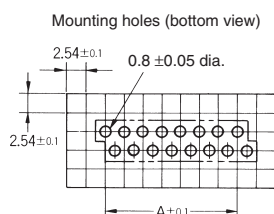
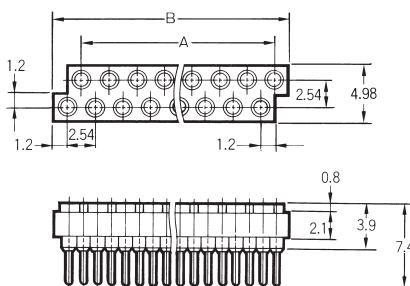
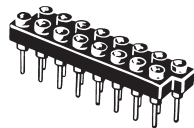
■ Ordering Information

| Appearance | No. of contacts | With 0.25-μm gold plating | With 0.75-μm gold plating | With gold flash plating |
|---|-----------------|---------------------------|---------------------------|-------------------------|
| Sockets with DIP terminals  | 10 | XR2C-1011-N | — | — |
| | 16 | XR2C-1611-N | — | — |
| | 20 | XR2C-2011-N | XR2C-2001-N | XR2C-2021-N |
| | 32 | XR2C-3211-N | XR2C-3201-N | XR2C-3221-N |
| Sockets with low-profile DIP terminals  | 20 | XR2C-2015 | XR2C-2005 | XR2C-2025 |
| | 32 | XR2C-3215 | XR2C-3205 | XR2C-3225 |
| Sockets with wrap terminals  | 20 | — | XR2C-2002 | — |
| | 32 | — | XR2C-3202 | — |

XR2H ZIP (Zigzag) Sockets

■ Dimensions

XR2H-□□11-N
(With DIP terminals)



Dimensions

| No. of contacts | Dimensions (mm) | |
|-----------------|-----------------|------|
| | A | B |
| 16 | 17.78 | 21.5 |
| 20 | 22.86 | 26.5 |
| 24 | 27.94 | 31.6 |
| 28 | 33.02 | 36.7 |

■ Ordering Information

| Appearance | Sockets with DIP terminals |
|-----------------|---------------------------------|
| | |
| No. of contacts | With 0.25- μ m gold plating |
| 16 | XR2H-1611-N |
| 20 | XR2H-2011-N |
| 24 | XR2H-2411-N |
| 28 | XR2H-2811-N |

XR2P Single-row Round Pin Plugs

Single-row Round Pins for Low-profile Stacking

- Single row with 2.54-mm pitch.
- Low-profile stacking possible in combination with Single-row IC Sockets (XR2C).
- Easily divided into the desired number of contacts.

■ Ratings and Characteristics

| | |
|-----------------------------------|--|
| Rated current | 1 A |
| Rated voltage | 300 VAC |
| Contact resistance (See note.) | 20 mΩ max. (at 20 mV, 10 mA max.) |
| Insulation resistance | 1,000 MΩ min. (at 500 VDC) |
| Dielectric strength | 1,000 VAC for 1 min (leakage current: 1 mA max.) |
| Ambient operating temperature | -55 to 125°C (with no icing at low temperature) |

Note: The contact and vibration resistance are the values when the Plug is mated with an XR2C.

■ Materials and Finish

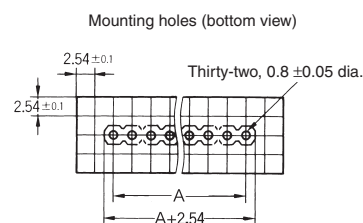
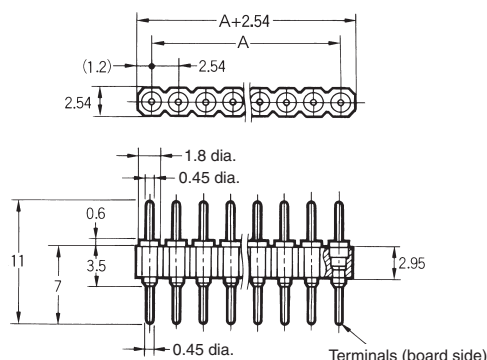
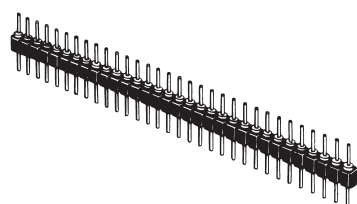
| | | |
|----------|--|---|
| Base | Fiber-glass reinforced PBT resin (UL94V-0)/black | |
| Contacts | Mating end | Brass/nickel base with 0.25-μm gold plating |
| | Terminal | |

■ Applicable Sockets

| | |
|-------------|-------------------------------------|
| XR2C-□□11-N | IC Sockets (single row) |
| XR2C-3215 | IC Socket (single row, low profile) |

■ Dimensions

XR2P-□□41
(With DIP straight terminals)



Dimensions

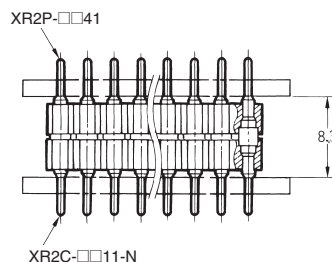
| No. of contacts | A (mm) |
|-----------------|--------|
| 10 | 22.86 |
| 16 | 38.1 |
| 20 | 48.26 |
| 32 | 78.74 |

■ Ordering Information

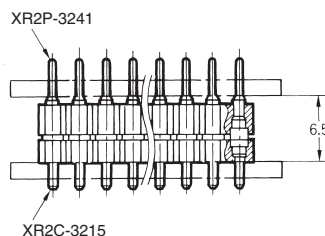
| No. of contacts | Model |
|-----------------|-----------|
| 10 | XR2P-1041 |
| 16 | XR2P-1641 |
| 20 | XR2P-2041 |
| 32 | XR2P-3241 |

■ Mated Dimensions

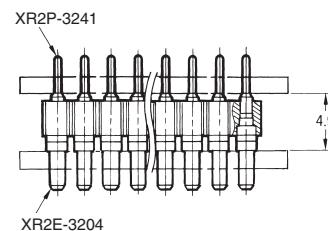
XR2P-□□41 with XR2C-□□11-N
Single-row IC Socket



XR2P-3241 with XR2C-3215
Single-row Low-profile IC Socket

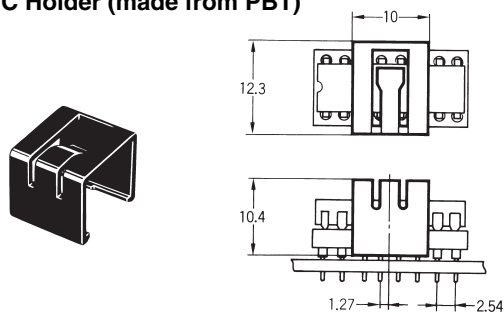


XR2P-3241 with XR2E-3204
Single-row Carrier Socket with Solder-sleeve Terminals

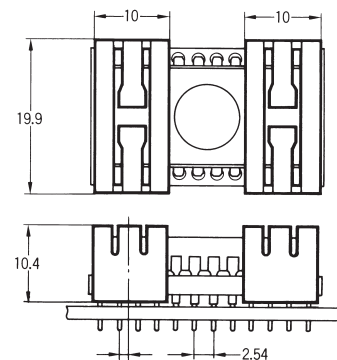


Tools and Accessories

XR2Z-11
IC Holder (made from PBT)



XR2Z-13

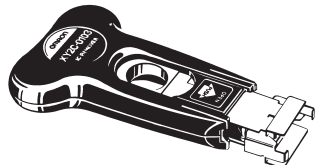


Note: Order the following models in multiples of the minimum order.

| Model | No. of IC Socket contacts | IC socket width | Order in multiples of |
|---------|---------------------------|-----------------|-----------------------|
| XR2Z-11 | 14, 16, 18, 20, 24 | 7.62 mm | 100 |
| XR2Z-13 | 24, 28, 32, 40, 42, 48 | 15.24 mm | 500 |

Note: This Holder protects the IC from falling out due to shock. The IC will not fall out even with a 980 m/s² shock. Applicable IC height: 2.7 to 5.6 mm.

XY2C-0101
XY2C-0103
IC Removal Tool



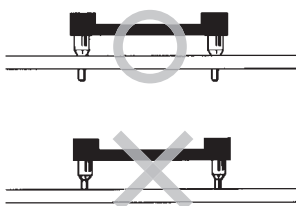
| Model | No. of IC Socket contacts | IC socket width |
|-----------|---------------------------|-----------------|
| XY2C-0101 | 14, 16, 18, 20 | 7.62 mm |
| XY2C-0103 | 24, 28, 32, 40 | 15.24 mm |

Precautions

Correct Use

Soldering

- When soldering, make sure that the outer sleeve of the IC Socket does not stick out of the circuit board through-holes.



- Make sure that no flux enters the IC Socket from the top.

Removing ICs

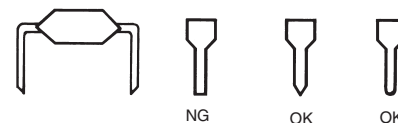
- Use the XY2C-0101 or XY2C-0103 IC Removal Tool to remove ICs.
- Do not use a screwdriver to remove the IC. It may damage the circuit board.
- Do not use a testing rod or check pin to check contacts or circuits. This may damage the inner clips or plating and may lead to improper contact.
- Four-point contact construction is used for plated products to make them more tolerant of momentary power interruptions. We recommend using gold-plated contacts in areas subject to vibration and shock.

Automated Soldering Conditions (Jet Flow)

- Soldering temperature: 250±5°C
- Continuous soldering time: Within 5 s

Applicable IC Lead Dimensions

- Use leads that are within the range shown here. For details, refer to the first page of this datasheet. Use an IC with leads longer than 3 mm. If the leads are too long, the IC will not sit flush on the board.
- Use an IC with tapered leads for easy insertion, a minimum amount of bending, and minimum damage to the leads.



All sales are subject to Omron Electronic Components LLC standard terms and conditions of sale, which can be found at http://www.components.omron.com/components/web/webfiles.nsf/sales_terms.html

ALL DIMENSIONS SHOWN ARE IN MILLIMETERS.
To convert millimeters into inches, multiply by 0.03937. To convert grams into ounces, multiply by 0.03527.

OMRON[®]

**OMRON ELECTRONIC
COMPONENTS LLC**

55 E. Commerce Drive, Suite B
Schaumburg, IL 60173

847-882-2288

OMRON ON-LINE

Global - <http://www.omron.com>

USA - <http://www.components.omron.com>

Cat. No. X304-E-1a

08/12

Specifications subject to change without notice

Printed in USA

Mouser Electronics

Authorized Distributor

Click to View Pricing, Inventory, Delivery & Lifecycle Information:

Omron:

[XR2A-0825](#) [XR2A-1425](#) [XR2A-1625](#) [XR2A-2025](#) [XR2C-2015](#) [XR2T-1621-N](#) [XR2T-2021-N](#) [XR2A-0802](#) [XR2A-1401-N](#) [XR2A-1801-N](#) [XR2A-2001-N](#) [XR2A-2401-N](#) [XR2A-2801-N](#) [XR2A-2811-N](#) [XR2A-2815](#) [XR2A-3201-N](#) [XR2A-3211-N](#) [XR2A-4001-N](#) [XR2C-1511-N](#) [XR2C-2000-HSG](#) [XR2C-2002](#) [XR2C-2005](#) [XR2C-2011-N](#) [XR2C-3200-HSG](#) [XR2C-3205](#) [XR2H-1611-N](#) [XR2P-1541](#) [XR2P-3241](#) [XR2Z-13](#) [XR2A-0811-N](#) [XR2A-1411-N](#) [XR2A-1611-N](#) [XR2A-2411-N](#) [XR2A-4011-N](#) [XR2C-1611-N](#) [XR2P-1641](#) [XR2A-3211-NZ](#) [XR2C-0311-N](#) [XR2C-1501-N](#) [XR2A-2201-N](#) [XR2C-1011-N](#) [XR2P-1041](#) [XR2P-2041](#) [XR2T-2401-N](#) [XR2T-2411-N](#) [XR2T-2421-N](#) [XR2C-2611-N](#)